

TZ SwingHandle™

TZ SwingHandle™ – TZ Ready

TZ SwingHandle™ – CombiLock™

TZ SwingHandle™ – TZ Enabled



infrastructure
protection

protection
infrastructure

ixp.tz.net

TZ SwingHandle is a new innovative locking handle for data center cabinets that offers true flexibility with an upgrade path from its “TZ Ready” base form as a manual swing-handle lock to a fully intelligent TZ SMART Device via an in-situ, simple-to-install electronic upgrade module. The electronic upgrade module will be available in Q4 2015.

The fully upgraded electronic TZ SwingHandle device provides all the feature of the TZ SlideHandle complete with SMA actuator, controlled release option, multi-colour visual door status indicator, emergency keyed release and electronic door status sensor. Like TZ SlideHandle, the TZ SwingHandle (when fully upgraded) is powered and controlled via standard structured cabling.

The TZ SwingHandle can be installed wherever a standard swing handle is currently used. The TZ SwingHandle functions as a standard swing handle with the extra security of a Euro Profile key lock or a CombiLock™. The TZ SwingHandle allows for a one-off installation of rack hardware, such as cams and push rods, to support regular functionality.

Features

- > Simple surface mounted installation on outside of door.
- > Mechanism provides industry standard action, both left and right.

- > Incorporates manual Euro Profile key over-ride lock allows fitment of a range of compatible locks, including high-security locks.
- > Simple electronic upgrade path using the electronic upgrade module.
- > Sturdy glass filled nylon and cast zinc construction.

Benefits

- > Surface mount design can be fitted by OEM cabinet manufacturers.
- > Fits many cabinet brands with mounting hardware suitable for industry standard 25mm wide swing handle openings eliminating need for on-site door modifications.
- > Compatible with currently available single-point and multi-point latching as well as split French doors.



Specifications Overview

Specifications subject to change to suit particular application requirements.

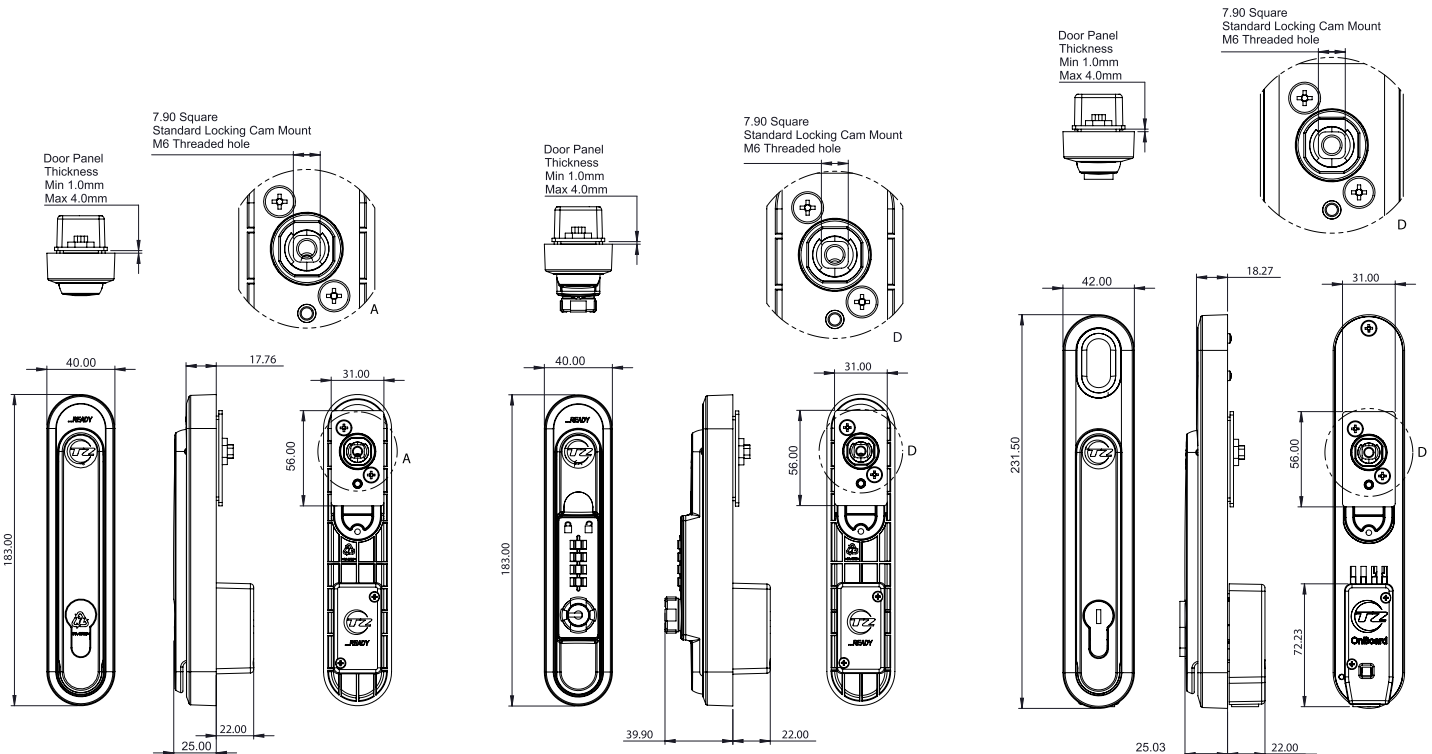
Physical And Mountings

- > Dims (mm): 183mm tall, 40mm wide, 25mm out from door, 22mm in from door
- > Dims (inches): 7.2" tall, 1.57" wide, 1" out from door, 0.86" in from door
- > Mounting: via 2 x M4 (#8) screws and clamp piece for top mounting
- > Bottom mounting via moulded retainer and 2 M3 plastic tapping screws
- > Mounts to doors with standard 25mm x 150mm (5.9" x 1") or 25mm x 125mm (4.9" x 1") opening (with or without center of cutout blanked)
- > 4mm max door panel thickness

Environmental and Performance

- > Operating temperature: -15°C to +55°C (5°F to 131°F)
- > Survival temperature: -55°C to +85°C (-67°F to +185°F)
- > Humidity (operating): 95% RH at 50°C (122°F)
- > Operating cycles: TZ Enabled: 10,000 (Electronic Cycles).
- > Ingress protection: IP 51

Dimensions (mm)



TZ SwingHandle™ – TZ Ready

TZ SwingHandle™ – CombiLock™

TZ SwingHandle™ – TZ Enabled