

## TZ Sensors™



## infrastructure protection

protection  
infrastructure

[ixp.tz.net](http://ixp.tz.net)

TZ Sensors provide cost-effective monitoring within the TZ Centurion network at the cabinet enclosure level for a range of environmental conditions such as temperature, humidity, door contact and leak detection.

### Features

- > The TZ Temperature Sensor measures the ambient temperature within the enclosure or cabinet. Its temperature sensor circuit is designed to measure temperatures between -15°C to 60°C (5°F to 140°F).
- > The TZ Relative Humidity Sensor contains a circuit designed to measure relative humidity between 5% and 95%.
- > The TZ Contact Sensor is a magnetic reed switch. When properly installed it allows the connected TZ device to determine when a door is open or closed.
- > The TZ Leak Detection Sensor can detect the presence of liquids.
- > All data presented via web page interface.

### Benefits

- > TZ sensors use the decentralised intelligence of TZ locking devices and the network infrastructure to provide a granular and low cost environmental monitoring solution.
- > Contact closure sensors enable the open closed status of a door to be reported in an audit trail.
- > The small physical size of the devices have minimum impact on cabinet space and installed equipment.
- > Timed TZ Sensor readings can be stored on the TZ Centurion Bridge SD card to provide a comprehensive record of environmental readings.



### Specifications Overview

Specifications subject to change to suit particular application requirements.

#### Physical And Mountings

- > Dims: 8115CF: 2 pieces – 34mm x 14mm x 9mm (1.34" x 0.5" x 0.35") w/ 1220mm (48") connector
- 8116CF / 8117CF: 35mm x 35mm x 15mm (1.4" x 1.4" x 0.6") w/ 2000mm (78") connector
- 8118CF: 35mm x 35mm x 15mm (1.4" x 1.4" x 0.6") with 216 mm (8.5") extension
- > Weight: 540 g (1.2 lbs) | 12 g (0.4 oz) | 12 g (0.4 oz) | 12 g (0.4 oz) plus 30 g (1.0 oz)
- > Mounting: Double stick tape

#### Electrical

- > Supply voltage: 9.0 – 32 VDC – powered via TZ device network
- > Current Usage: < 4 mA | 4 mA | < 4 mA | < 15 mA Sinks up to an additional 10 mA
- > 8115CF: Normally open, dry contact
- > 8116CF: Pinout: NC | GND | NC | Temperature
- > 8117CF: Pinout: V+ | GND | Relative Humidity | NC
- > 8118CF: Pinout: V+ | GND | Signal | NC Additional Pinout: V+ | GND, Signal

#### Sensors (range and accuracy)

- > 8115CF: Open/Closed
- > 8116CF: Temperature ( $\pm 2^{\circ}\text{C}$  between  $-15^{\circ}\text{C}$  and  $60^{\circ}\text{C}$ )
- > 8117CF: Relative Humidity ( $\pm 3\%$  between 5% and 95%)
- > 8118CF: High in air, sinks current in liquid

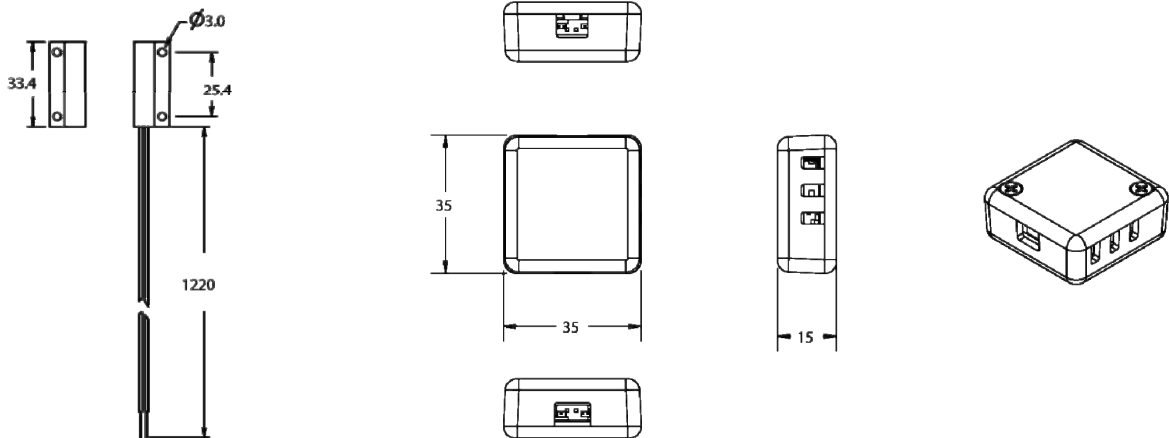
#### Standards compliance (applies to all units)

- > FCC Part 15 Class B, CE, UL (c-us) per IEC/UL/CSA 60950-1
- > RoHS compliant
- > One year limited warranty

#### Environmental (applies to all units)

- > Operating temperature:  $-15^{\circ}\text{C}$  to  $+85^{\circ}\text{C}$  ( $5^{\circ}\text{F}$  to  $235^{\circ}\text{F}$ )
- > Non-combustible
- > Ingress protection: IP 20

#### Dimensions (mm)



8115CF: Door Sensor

8116CF | 8117CF | 8118CF